

## 4TH ANNUAL CALIFORNIA CENTERED: PRINTMAKING 2010

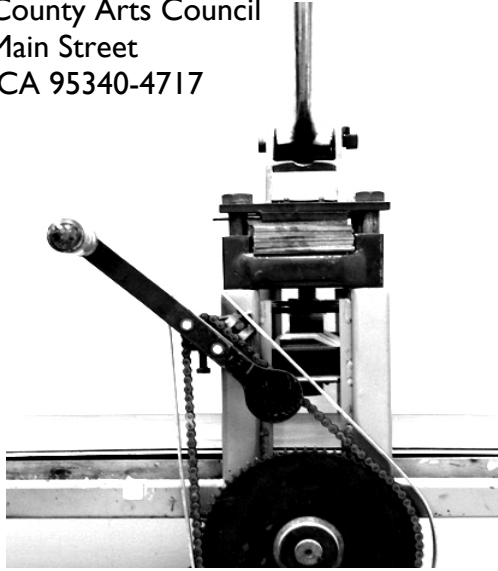
- INTENTION** To bring together a selection of the best in recent California printmaking. Merced, home of the newest University of California campus, is located in the geographic center of the state. This is the third in a series of annual exhibitions sponsored by the Merced County Arts Council. The exhibition will be held in the Merced Art Center, an award winning center with several dedicated exhibition galleries.
- CURATOR** Jamey Brzezinski, an artist/printmaker who has shown extensively and has taught printmaking at California College of Arts & Crafts, San Francisco State University, and others including Merced College, where he is Chair of the Arts Division.
- AWARDS** Award will be a solo or three person show in one of the Merced Multicultural Art Center galleries.
- ELIGIBILITY** Open to all printmakers residing in California. Work can be in any traditional printmaking media (except photography) and must have been completed within the past three years.
- ENTRIES** Entries will be judged by slides or C.D. and must be received by hand or shipped to arrive by February 24, 2010. If shipped, a reusable shipping carton should be used. Please include check for entry fees made out to Merced County Arts Council. Also include prepaid return shipping labels or SASE for return of slides or C.D.
- ACCEPTED WORK** should be rigidly framed, with plastic (no glass), and be ready to hang. The MCAC accepts no liability for work damaged in shipping or due to faulty framing.
- FEES** \$10 each for one or two entries; \$25 for three entries
- CALENDAR** Feb. 24, 2010 Slide/CD deadline  
March 25, 2010 accepted work delivery deadline  
April 1, 2010 Exhibition opens  
April 8, 2009 Artists Reception  
June 1, 2010 Exhibition closes  
June 7, 2010 Work returned or available for pick up (please allow two weeks for shipped work)

**4th Annual California Centered: printmaking**

Merced County Arts Council

645 W. Main Street

Merced, CA 95340-4717



**Entry & Juror Notification Forms** Please use a photocopy

Artist \_\_\_\_\_

Address \_\_\_\_\_

City/State/Zip \_\_\_\_\_

Telephone \_\_\_\_\_

Email \_\_\_\_\_

Fill out the information above and mail numbered slides or C.D., check or money order for entry fees\* made out to MCAC, and an S.A.S.E. to: California Centered / MCAC/ 645 W. Main St. / Merced, CA 95340-4717

Entry 1 Title \_\_\_\_\_

Medium \_\_\_\_\_ Price \_\_\_\_\_

Entry 2 Title \_\_\_\_\_

Medium \_\_\_\_\_ Price \_\_\_\_\_

Entry 3 Title \_\_\_\_\_

Medium \_\_\_\_\_ Price \_\_\_\_\_

Entry 1 \_\_\_\_\_ included \_\_\_\_\_ not included

Entry 2 \_\_\_\_\_ included \_\_\_\_\_ not included

Entry 3 \_\_\_\_\_ included \_\_\_\_\_ not included

**Entry fee: \$10 each for one or two entries; \$25 for three entries**

(Slides and CD's must be received by Feb. 24th 2010)

**Entry 1 Label** type or print clearly

**Entry 2 Label** type or print clearly

**Entry 3 Label** type or print clearly

Artist \_\_\_\_\_

Artist \_\_\_\_\_

Artist \_\_\_\_\_

Title \_\_\_\_\_

Title \_\_\_\_\_

Title \_\_\_\_\_

Medium \_\_\_\_\_ Year \_\_\_\_\_

Medium \_\_\_\_\_ Year \_\_\_\_\_

Medium \_\_\_\_\_ Year \_\_\_\_\_

Price (Insurance Value if NFS) \_\_\_\_\_

Price (Insurance Value if NFS) \_\_\_\_\_

Price (Insurance Value if NFS) \_\_\_\_\_

Please fill out the labels above and attach to upper left hand corner of each print included in the California Centered: printmaking Exhibition. Notices of acceptance will be sent out during the week following the slide deadline.

Included work must arrive by the March 25, 2010 deadline.

Work may be hand delivered or shipped.

Shipped work must be in sturdy, reusable shipping carton and include pre-paid return shipping labels.

Award Show winners will be selected after receipt of actual work. Dates will be contingent on artists' and MCAC schedules.